

ROVIC SYNCROSEED® Airseeders

**Specification Sheets
Refer to pricelist 01/2018
1 May 2018**



ROVIC Syncroseed® Airseeder



General Characteristics Frame

- Dosatron spraying system
 - Size 4.3m - 15.1m
 - Robust hollow section frame construction
 - 3CR12 Tanks
 - Stainless steel metering units
 - Easy calibration
 - Optional equipment available
 - Single Dozatron as standard
- 15 - 27t = 20L Container
29 - 53t = 100L Tank

ROVIC Modular Integrated Seeding Tine

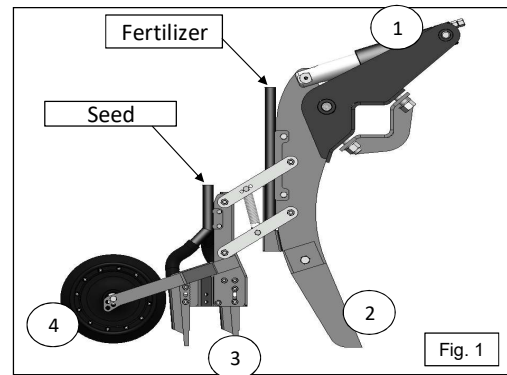


Fig. 1

General Characteristics ROVIC Modular Integrated seeding Tine (Fig.1)

- (1) Hydraulic Dampened Reset Tine (requires 5-8kW per Tine)
- (2) Tine fitted with 16mm wide replaceable Tungsten Tile Point
- (3) Fitted with Parallel linkage patented dual seed chute
- (4) Fitted with self cleaning rubber moulded V-shaped Press wheel

3 RANK - Hydraulic Tine; 285mm spacing, 4.3 - 15.1m

Stock Code	Working Width (m)	No ranks	Spacing mm	No. tines	± kW required	Wing Fold	2 Bin configuration		Spray tank litre	Frame wheels
							Seed (L)	Fert. (L)		
RV4275-3B	4.3	3	285	15	75-120	Rigid	1680	2520	1300	Single
RV4845-3B	4.8	3	285	17	85-135	Rigid	1680	2520	1300	Single
RV5415-3B	5.4	3	285	19	95-150	Rigid	1680	2520	1300	Single
RV5985-3B	6.0	3	285	21	105-170	Single	1680	2520	1300	Single
RV6555-3B	6.6	3	285	23	115-185	Single	1680	2520	1300	Single
RV7125-3B	7.1	3	285	25	125-200	Single	1680	2520	1300	Single
RV7695-3B	7.7	3	285	27	135-215	Single	1680	2520	1300	Single
RV8265-3B	8.3	3	285	29	145-230	Single	2480	3720	2200	Single
RV8835-3B	8.8	3	285	31	155-250	Single	2480	3720	2200	Single
RV9405-3B	9.4	3	285	33	165-265	Single	2480	3720	2200	Single
RV9975-3B	10.0	3	285	35	175-280	Single	2480	3720	2200	Single
RV10545-3B	10.5	3	285	37	185-295	Single	2480	3720	2200	Single
RV11115-3B	11.1	3	285	39	195-310	Single	2480	3720	2200	Single
RV11685-3B	11.7	3	285	41	205-328	Single	2480	3720	2200	Single
RV12255-3B	12.2	3	285	43	215-344	Double	2480	3720	2200	Single
RV12825-3B	12.8	3	285	45	225-360	Double	2480	3720	2200	Single
RV13395-3B	13.3	3	285	47	235-376	Double	2480	3720	2200	Single
RV13965-3B	13.9	3	285	49	245-392	Double	2480	3720	2200	Double
RV14535-3B	14.5	3	285	51	255-408	Double	2480	3720	2200	Double
RV15105-3B	15.1	3	285	53	265-424	Double	2480	3720	2200	Double

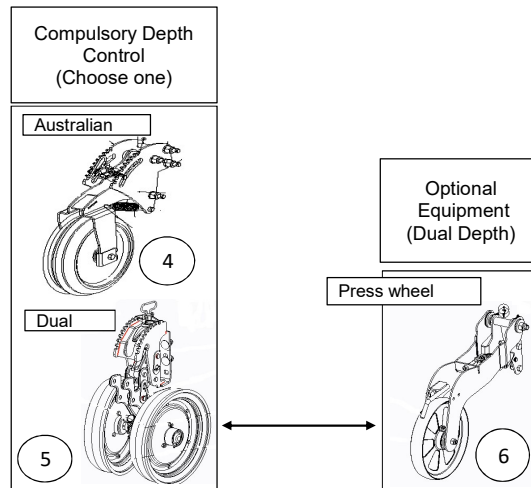
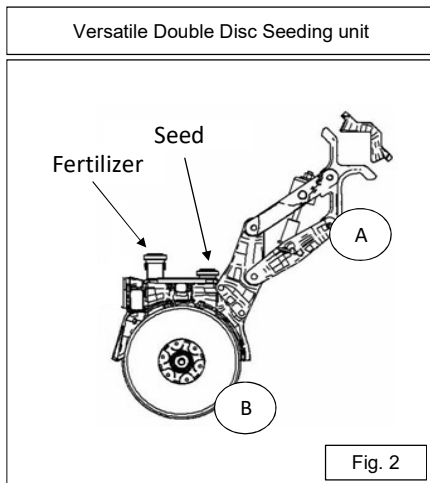
2 RANK - Double Disc; 200mm spacing, 7 - 9.8m

General Characteristics Frame

- Robust hollow section frame construction
- Size 7.0m - 9.8m
- 3CR12 Tanks
- Stainless steel metering units and dividing heads
- Easy calibration
- Optional equipment available

General Characteristics KUHN Versatile Double Disc Seeding Unit (Fig.2)

- A) Contour Hugging Parallel Linkage
- B) Un-phased Double Disc (Ø16" & Ø15")



Depth control options

- (4) Single In-Line Australian depth / press wheel (Steel)
- (5) Dual depth control wheel (Rubber)

Combination 1

Versatile unit (Fig.2) fitted with Australian depth / press wheel (4)

Combination 2

Versatile unit (Fig.2) fitted with Dual depth control wheel (5)

Combination 3

Versatile unit (Fig.2) fitted with Dual depth cont. wheel (5) + Convex P/Wheel (6)

Press wheel option

- (6) Convex press wheel (Steel)

Consist of and Invoiced as follows	Working Width (m)	No ranks	Spacing mm	No. rows	Wing fold	2 Bin configuration	
						Seed (L)	Fert. (L)
(Item 1) + 35 x (Item 4)	7.0m	2	200	35	Single	2500	3700
(Item 1) + 35 x (Item 5)	7.0m	2	200	35	Single	2500	3700
(Item 2) + 41 x (Item 4)	8.2m	2	200	41	Single	2500	3700
(Item 2) + 41 x (Item 5)	8.2m	2	200	41	Single	2500	3700
(Item 3) + 49 x (Item 4)	9.8m	2	200	49	Single	2500	3700
(Item 3) + 49 x (Item 5)	9.8m	2	200	49	Single	2500	3700

Item	Stock Code	Description
1	RV18100	7.0m Double Disc Planter c/w with Versatile Double Disc Seeding unit (Fig.2) WITHOUT Depth control (Item 4 or 5)
2	RV19050	8.2m Double Disc Planter c/w with Versatile Double Disc Seeding unit (Fig.2) WITHOUT Depth control (Item 4 or 5)
3	Ref No.1	9.8m Double Disc Planter c/w with Versatile Double Disc Seeding unit (Fig.2) WITHOUT Depth control (Item 4 or 5)

DEPTH CONTROL - Compulsory Equipment, choose one.

4	UM-Y5606120	KUHN Single In-Line Press wheel - Steel (Australian)	(Combination 1)
5	UM-Y5803170	KUHN Dual depth control wheel - Rubber	(Combination 2)

Optional Equipment

6	UM-16C6487	KUHN Convex Press wheel - Steel (Fits on rear of Dual depth control wheel Item. 5)
---	------------	--

UM-VERU	KUHN Versatile Double disc seeding unit WITHOUT Press wheels
---------	---

Optional Equipment**Power packs**

Stock Code	Description
RV14485	90L Hydraulic power pack 540 rpm
RV14486	90L Hydraulic power pack 1000 rpm

Fine seed Bin + Distribution kits

Stock Code	Description
RV14512	210L Fine seed bin for 4200L Mounted Airseeder Bin c/w Metering Unit
RV13348	400L Fine seed bin for 6200L Mounted Airseeder Bin c/w Metering unit

- Fine seed distribution

Ref No.1	Fine seed Sprayer (Fitted at 500mm intervals on the rear Beam)
Ref No.2	Fine Seed Distribution mounted at press wheel

Sundry equipment

Stock Code	Description
V1100-460	Additional Dosatron (1.5 - 2% or 2 - 5%)
RV21431	ELECTROLEE - Monitor 3 Shafts and 2 Bins
RV21432	ELECTROLEE - Monitor 3 Shafts and 3 Bins
RV21436	ELECTROLEE - 8 Divider head blockage monitor
RV21437	ELECTROLEE - 12 Divider head blockage monitor

Loose Equipment**Mounted Seed & Fertilizer Bins****Mounted**

Stock Code	Description
Ref No.3	4200L Airseeder 2 Split Bin (60/40) c/w Metering units, Hydraulic Fan, Catwalk + Guard Rail
Ref No.4	4200L Airseeder 3 Split Bin (30/30/40) c/w Metering units, Hydraulic Fan, Catwalk + Guard Rail
Ref No.5	6200L Airseeder 2 Split Bin (60/40) c/w Metering units, Hydraulic Fan, Catwalk + Guard Rail
Ref No.6	6200L Airseeder 3 Split Bin (30/30/40) c/w Metering units, Hydraulic Fan, Catwalk + Guard Rail

Trailed Seed & Fertilizer Bins

TAS4200	*4200L Trailed Fertilizer bin c/w metering units, Hydraulic fan, Catwalk + Guard Rail w/o Dist Kit
TAS6200	*6200L Trailed Fertilizer bin c/w metering units, Hydraulic fan, Catwalk + Guard Rail w/o Dist Kit
TAS10000	*16500L Trailed Fertilizer bin c/w metering units, Hydraulic fan, Catwalk + Guard Rail w/o Dist Kit

* Note! Does not include the Distribution Kit from the Trailed Airseeder to the Implement, please enquire

Seeding equipment (Hydr. Tines / Double Disc Seeder)**Hydraulic Tine (Rovic)**

Stock Code	Description
RV13340	ROVIC Modular Integrated Seeding Tine (Includes Dual seed Placement)
Ref No.7	Dual Seed Placement (If not required)
RV13321	ROVIC Hydraulic Dampened Reset Tine <u>WITHOUT</u> Seeding Unit
RV22395	Ø17" Cutting Coulter c/w Mounting bracket to bolt onto Fertilizer Tine

Double Disc Seeder (Kuhn)

UM-VERU	KUHN Versatile Double disc seeding unit <u>WITHOUT</u> Depth Control
UM-Y5606120	KUHN Single In-Line Press wheel (Australian)
UM-Y5803170	KUHN Dual Press wheel
UM-16C6487	KUHN Convex Press wheel

Spray System

Stock Code	Description
RV18436	1300L Spray system (3CR12, Including Dosatron and Spray boom)
RV16687	2200L Spray system (3CR12, Including Dosatron and Spray boom)